

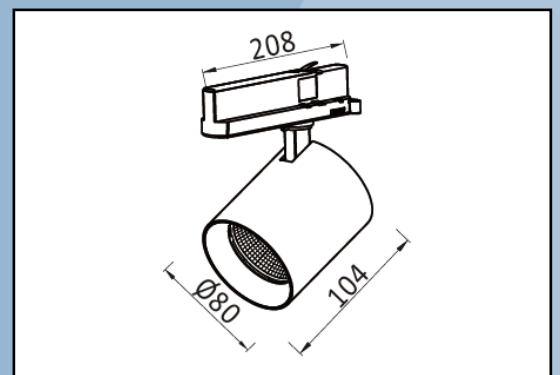
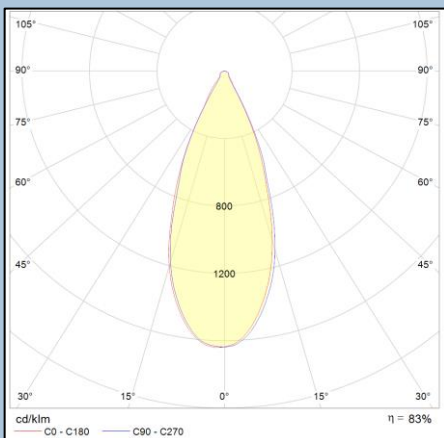
Colours	<input type="checkbox"/> <input checked="" type="checkbox"/>	Aluminium, die cast
Housing		Track light
Fixture type		Philips Fortimo SLM VO LED module
Module		Driver incorporated in track adapter
Driver		3000lm
Light Output module		3000K
CCT		>90Ra
CRI		15°, 24°, 45°, 60°
Beam angles		Powergear® 3-phase Ultimate adapter included
Adapter		355°
Rotatable		90°
Tilttable		Philips Value Output
LED modules		DALI, Casambi
Dimming Options		Honeycomb, Glass
Options		50.000h (L80/B10)
Expected Lifetime		RG1 unlimited
Photobiological safety		> 0.9
Power factor		> 90%
LOR		3 SDCM
Colour consistency		5 years warranty on LED module and driver
Warranty		MU-CFNO-SPECIAL
Article number		CE, ENEC (COB & in-track driver adapter)
Certificates		



Net Weight	Dimensions carton L x W x H	Qty outer carton
425 grams	24 x 18 x 11 cm	18

## Available LED Modules

Description	Lumen	Watt	Lm/W	CCT	CRI
Philips Fortimo SLM VO	3286lm	32W	103	930	>90



1) Lumen output of LED module (COB)  
 2) Mentioned wattage includes the power consumption of the driver.  
 3) Values shown are average values and are subject to +/- 10% tolerance (set by international standards). The colour temperature is subject to a tolerance of up to +/- 150 Kelvin compared to the nominal value. Technical data can be changed by Internova without prior notice.